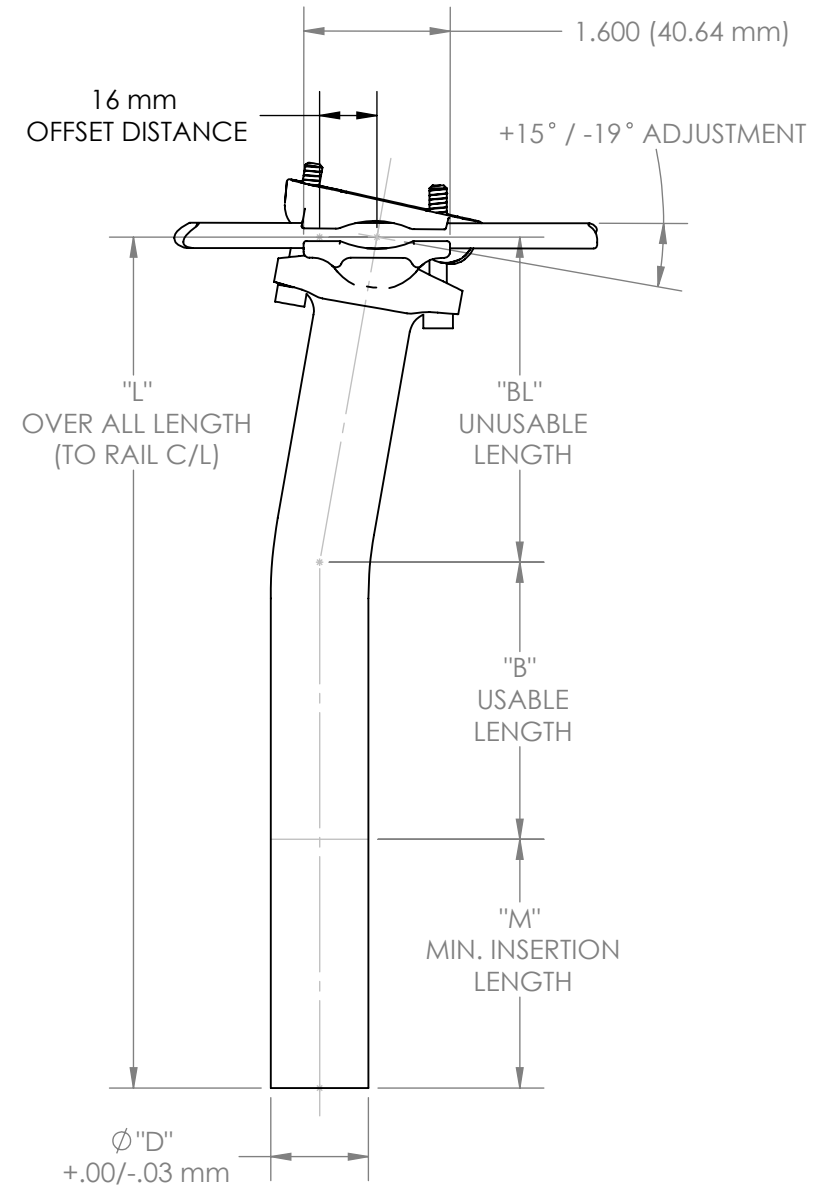


REV.	DATE	DESCRIPTION	APPR.
A	3/25/08	REMOVED NONEXISTENT PART #s	ERL

Model Number	DESCRIPTION	"L"	"M"	"B"	"BL"	"D"
		Over All Length	Min. Insertion Length	Usable Length	Unusable Length	Seatpost Diameter
SP-M102SB	27.2 x 240 mm SB	238.64 mm	63.50 mm	78.09 mm	97.05 mm	27.15 mm
SP-M105SB	27.2 x 330 mm SB	328.63 mm	63.50 mm	168.08 mm	97.05 mm	27.15 mm
SP-M106SB	30.9 x 350 mm SB	348.63 mm	87.00 mm	151.21 mm	110.42 mm	30.85 mm
SP-M107SB	31.6 x 350 mm SB	348.63 mm	87.00 mm	151.21 mm	110.42 mm	31.55 mm



THIS DOCUMENT/DATA RECORD IS THE PROPERTY OF L.H. THOMSON CO. AND CONTAINS PROPRIETARY AND CONFIDENTIAL INFORMATION, AND IS NOT TO BE COPIED UNLESS OTHERWISE SPECIFIED. DIMENSIONS ARE IN INCHES (mm) TOLERANCES: ANGLES $\pm 1^\circ$ DECIMALS $\pm .010$ (.25) FINISH 125 (3.2) RA MAX BREAK CORNERS .01-.02 RAD

USED ON: L.H. Thomson Web Site	DRAWN: E.Lassiter	DATE: 12/22/06	L.H. THOMSON COMPANY CORPORATE OFFICES MACON, GA. 31297		
SECTION NO.	CHECKED:	DATE:			
CHANGE NO.	STRESS:	DATE:	MASTERPIECE SET BACK SEATPOST SIZE DIAGRAM		
GROUP ORIGIN:	ENGR:	DATE:			
	M.E.:	DATE:	SIZE	CAGE CODE	DRAWING NO.
	GROUP:	DATE:			WEB 004
	PROJ.	DATE:			