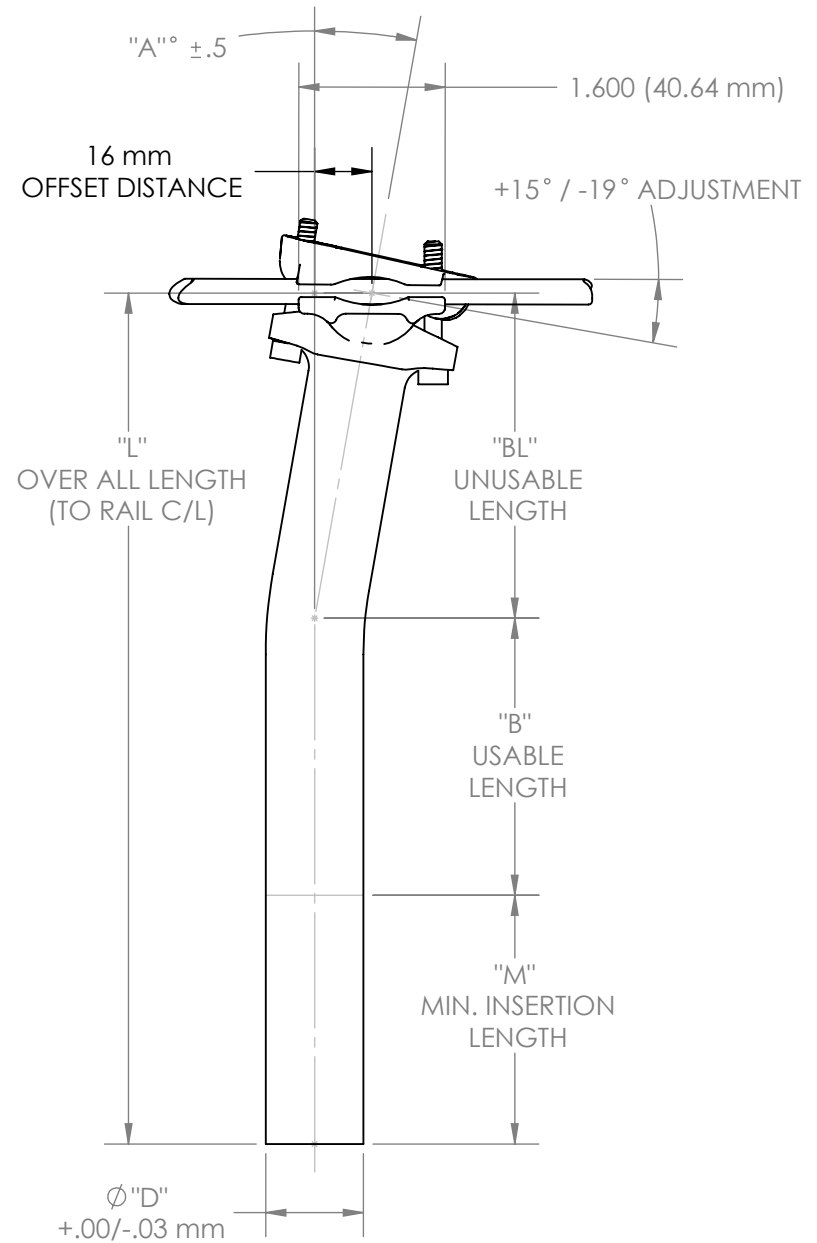


REV.	DATE	DESCRIPTION	APPR.
A	3/25/08	REMOVED NONEXISTENT PART #s	ERL
B	3/26/10	ADDED 30.0 SB INFO	ERL



Model Number	DESCRIPTION	"L"	"M"	"A"	"B"	"BL"	"D"
		Over All Length	Min. Insertion Length	Angle of Setback	Usable Length	Unusable Length	Seatpost Diameter
SP-E101SB	27.2 x 330 mm SB	328.63 mm	63.50 mm	10°	168.08mm	97.05 mm	27.15 mm
SP-E102SB	27.2 x 250 mm SB	248.64 mm	63.50 mm	10°	88.09 mm	97.05 mm	27.15 mm
SP-E110SB	31.6 x 287 mm SB	285.14 mm	100.00 mm	10°	88.09 mm	97.05 mm	31.55 mm
SP-E127SB	30.9 x 410 mm SB	408.64 mm	100.00 mm	7°	198.22 mm	110.42 mm	30.85 mm
SP-E128SB	30.9 x 367 mm SB	365.13 mm	100.00 mm	7°	154.71 mm	110.42 mm	30.85 mm
SP-E109SB	31.6 x 367 mm SB	365.13mm	100.00 mm	7°	154.71 mm	110.42 mm	31.55mm
SP-E113SB	27.2 x 410 mm SB	408.64 mm	75.00 mm	7°	223.22 mm	110.42 mm	27.15 mm
SP-E116SB	31.6 x 410 mm SB	408.64 mm	100.00 mm	7°	198.22 mm	110.42 mm	31.55mm
SP-E155SB	32.4 x 367 mm SB	408.64 mm	100.00 mm	7°	198.22 mm	110.42 mm	32.35mm
SP-E149 SB	30.0 x 410 mm SB	408.64 mm	100.00 mm	7°	198.22 mm	110.42 mm	29.95mm

THIS DOCUMENT/DATA RECORD IS THE PROPERTY OF L.H. THOMSON CO. AND CONTAINS PROPRIETARY AND CONFIDENTIAL INFORMATION, AND IS NOT TO BE COPIED UNLESS OTHERWISE SPECIFIED. DIMENSIONS ARE IN INCHES (mm) TOLERANCES: ANGLES $\pm 1^\circ$ DECIMALS $\pm .010$ (.25) FINISH 125 (3.2) RA MAX BREAK CORNERS .01-.02 RAD

USED ON: L.H. Thomson Web Site	DRAWN: E.Lassiter DATE: 12/19/06	L.H. THOMSON COMPANY CORPORATE OFFICES MACON, GA 31297		
CHECKED:	DATE:			
SECTION NO.	STRESS: ENGR:	ELITE SET BACK SEATPOST SIZE DIAGRAM		
CHANGE NO.	M.E.:			
GROUP ORIGIN:	GROUP:	SIZE	CAGE CODE	DRAWING NO.
	PROJ.			WEB 002
				SHEET 1 OF 1